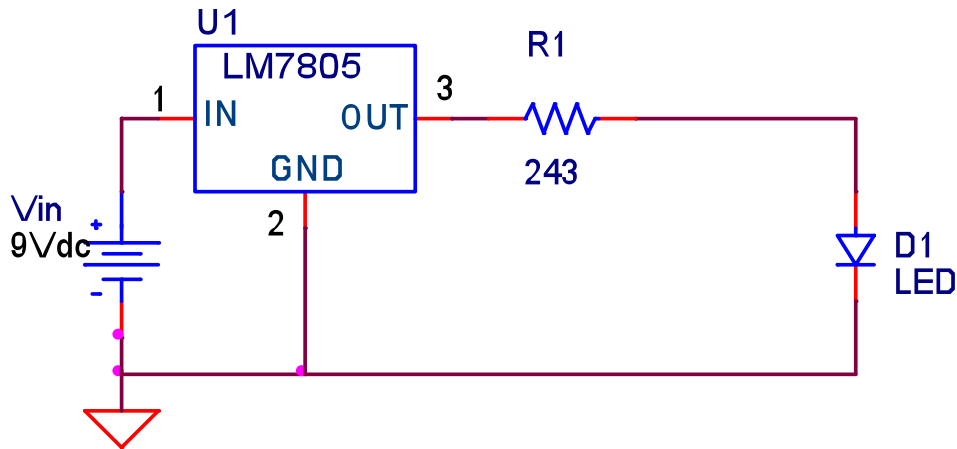


Week 3 Workshop Series and Parallel Circuits.

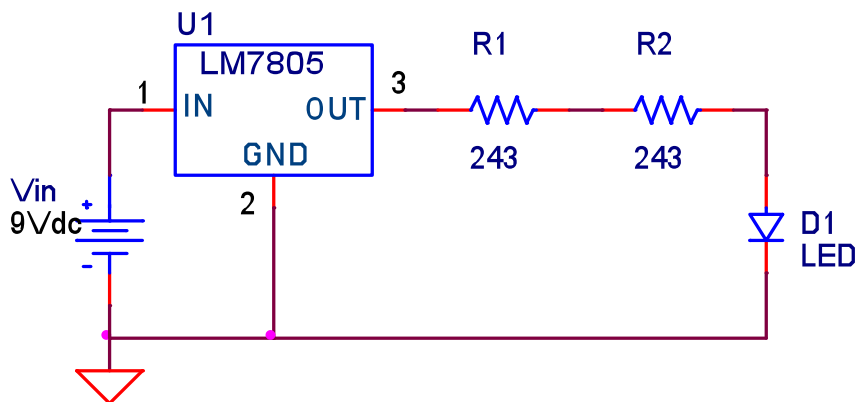
The activities of today are team activities – no more than 2 students per team. As you work through each circuit, record your observations on paper and demo the working circuit to the TA or instructor.

Circuit 1:



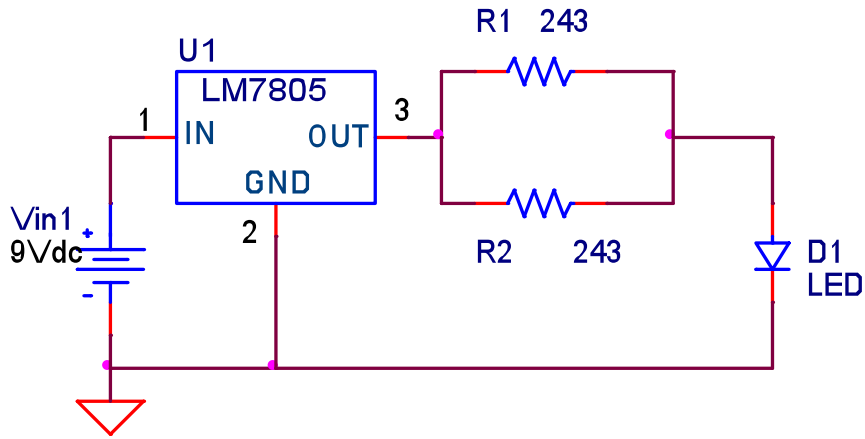
This circuit is the same as last week – we build it again as the next two circuits will be compared to this one.

Circuit 2: Components in Series:



In this circuit we connect R1 and R2 in series. Compare the brightness of the LED with the case of circuit 1. What do you observe? Explain. Record your answers.

Circuit 3: Components in Parallel



In this circuit we connect R1 and R2 in parallel. Compare the brightness of the LED with the case of circuit 1. What do you observe? Explain. Record your answers.

Circuit 4:

Build a circuit with three LEDs (red, yellow and green), each LED to be controlled by a separate switch. In addition, the green LED should have it's brightness controllable by a potentiometer. Show your working circuit to the TA.